

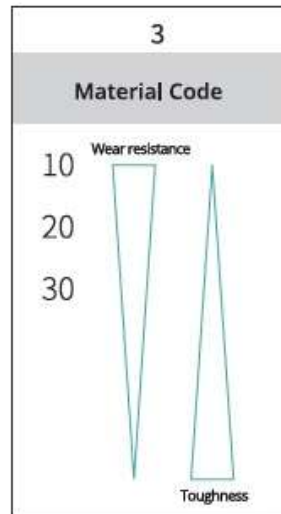
Key Definition - Material designation

Example

M	N	D	10
ManaNova	1	2	3

1
Application Materials
P Steel
M Stainless Steel
K Cast Iron
S Powder metallurgy
H Hardened Steel
N Non-ferrous Metal

2
Cutting Tool Material
D PCD
N CBN








Edge mark:

C - chipbreaker
L - full length
F - full face

Application:

ISO N - Non-ferrous Metal
ISO O - Others

CCGW	Angle		Dimensions						Grade			
	ANSI Code	ISO Code	Tips	IC mm	S mm	R mm	Φd mm	LE mm	MND 01	MND 10	MND 32	CVD
	CCGW 21.50.5	CCGW 060202	1N	6.35	2.38	0.2	2.8	2.5				●
	CCGW 21.51	CCGW 060204	1N	6.35	2.38	0.4	2.8	2.5				●
	CCGW 32.50.5	CCGW 09T302	1N	9.525	3.97	0.2	4.4	2.5				●
	CCGW 32.51	CCGW 09T304	1N	9.525	3.97	0.4	4.4	2.5				●
	CCGW 32.52	CCGW 09T308	1N	9.525	3.97	0.8	4.4	2.5				●
	C - CCGW 21.50.5	C - CCGW 060202	1N	6.35	2.38	0.2	2.8	2.5				●
	C - CCGW 32.51	C - CCGW 09T304	1N	9.525	3.97	0.4	4.4	2.5				●
	F - CCGW 21.51	F - CCGW 060204	2N	6.35	2.38	0.4	2.8	6.4				●


Sorte MND 10

sFr. / Stk.

sFr. / Stk.
VE

967-CCGW060202-1N									34.00	27.00
967-CCGW060204-1N									34.00	27.00
967-CCGW060205-1N									34.00	27.00
967-CCGW060208-1N									34.00	27.00
967-C-CCGW060204-1N									55.00	44.00
967-F-CCGW060204-2N									65.00	52.00
967-CCGW09T302-1N									34.00	27.00
967-CCGW09T304-1N									34.00	27.00
967-CCGW09T308-1N									34.00	27.00
967-C-CCGW09T304-1N									55.00	44.00
967-CCGW120404-1N									34.00	27.00
967-CCGW120408-1N									34.00	27.00

VE: 10 Stk in einer Verpackung

CCGT	Angle		Dimensions						Grade			
	ANSI Code	ISO Code	Tips	IC mm	S mm	R mm	φd mm	LE mm	MND 01	MND 10	MND 32	CVD
	CCGT 21.50.5	CCGT 060202	1N	6.35	2.38	0.2	2.8	2.5	●			
	CCGT 21.51	CCGT 060204	1N	6.35	2.38	0.4	2.8	2.5	●			
	CCGT 32.50.5	CCGT 09T302	1N	9.525	3.97	0.2	4.4	2.5	●			
	CCGT 32.51	CCGT 09T304	1N	9.525	3.97	0.4	4.4	2.5	●			
	CCGT 32.52	CCGT 09T308	1N	9.525	3.97	0.8	4.4	2.5	●			

Sorte MND 10

sFr. / Stk.

sFr. / Stk.

VE

967-CCGT060202-1N								34.00	27.00
967-CCGT060204-1N								34.00	27.00
967-CCGT09T302-1N								34.00	27.00
967-CCGT09T304-1N								34.00	27.00
967-CCGT09T308-1N								34.00	27.00

VE: 10 Stk in einer Verpackung



Edge mark:

C - chipbreaker
L - full length
F - full face

Application:

ISO N - Non-ferrous Metal
ISO O - Others

DCGW	Angle		Dimensions						Grade			
	ANSI Code	ISO Code	Tips	IC mm	S mm	R mm	Φd mm	LE mm	MND 01	MND 10	MND 32	CVD
	DCGW 21.50.5	DCGW 070202	1N	6.35	2.38	0.2	2.8	2.5	●			
	DCGW 21.51	DCGW 070204	1N	6.35	2.38	0.4	2.8	2.5	●			
	DCGW 32.50.5	DCGW 11T302	1N	9.525	3.97	0.2	4.4	2.5	●			
	DCGW 32.51	DCGW 11T304	1N	9.525	3.97	0.4	4.4	2.5	●			
	DCGW 32.52	DCGW 11T308	1N	9.525	3.97	0.8	4.4	2.5	●			


Sorte MND 10

sFr. / Stk.

sFr. / Stk.
VE

967-DCGW070202-1N									34.00	27.00
967-DCGW070204-1N									34.00	27.00
967-DCGW070208-1N									34.00	27.00
967-DCGW11T302-1N									34.00	27.00
967-DCGW11T304-1N									34.00	27.00
967-DCGW11T308-1N									34.00	27.00

VE: 10 Stk in einer Verpackung

DCGT	Angle		Dimensions						Grade			
	ANSI Code	ISO Code	Tips	IC mm	S mm	R mm	ϕd mm	LE mm	MND 01	MND 10	MND 32	CVD
	DCGT 21.50.5	DCGT 070202	1N	6.35	2.38	0.2	2.8	2.5	●			
	DCGT 21.51	DCGT 070204	1N	6.35	2.38	0.4	2.8	2.5	●			
	DCGT 32.50.5	DCGT 11T302	1N	9.525	3.97	0.2	4.4	2.5	●			
	DCGT 32.51	DCGT 11T304	1N	9.525	3.97	0.4	4.4	2.5	●			
	DCGT 32.52	DCGT 11T308	1N	9.525	3.97	0.8	4.4	2.5	●			

Sorte MND 10

sFr. / Stk.

sFr. / Stk.
VE





967-DCGT070202-1N								34.00	27.00
967-DCGT070204-1N								34.00	27.00
967-DCGT11T302-1N								34.00	27.00
967-DCGT11T304-1N								34.00	27.00
967-DCGT11T308-1N								34.00	27.00

VE: 10 Stk in einer Verpackung



Edge mark: C - chipbreaker
L - full length
F - full face

Application: ISO N - Non-ferrous Metal
ISO O - Others

TCGW	Angle		Dimensions						Grade			
	ANSI Code	ISO Code	Tips	IC mm	S mm	R mm	Φd mm	LE mm	MND 01	MND 10	MND 32	CVD
	TCGW 1.81.50.5	TCGW 090202	1N	5.56	2.38	0.2	2.4	2.5		●		
	TCGW 1.81.51	TCGW 090204	1N	5.56	2.38	0.4	2.4	2.5		●		
	TCGW 220.5	TCGW 110302	1N	6.35	3.18	0.2	2.8	2.5		●		
	TCGW 221	TCGW 110304	1N	6.35	3.18	0.4	2.8	2.5		●		
	TCGW 222	TCGW 110308	1N	6.35	3.18	0.8	2.8	2.5		●		
	TCGW 32.51	TCGW 16T304	1N	9.525	3.97	0.4	4.4	2.5		●		
	TCGW 32.52	TCGW 16T308	1N	9.525	3.97	0.8	4.4	2.5		●		
	L-TCGW 32.50.5	L-TCGW 16T302	2N	9.525	3.97	0.2	4.4	16.2		●		
	L-TCGW 32.51	L-TCGW 16T304	2N	9.525	3.97	0.4	4.4	15.9		●		
	L-TCGW 32.52	L-TCGW 16T308	2N	9.525	3.97	0.8	4.4	15.3		●		
	F-VBGW 1.81.51	F-VBGW 090204	3N	5.56	2.38	0.4	2.4	9		●		

Sorte MND 10

sFr. / Stk.

sFr. / Stk.
VE

967-TCGW090202-1N									34.00	27.00
967-TCGW090204-1N									34.00	27.00
967-TCGW090208-1N									34.00	27.00
967-TCGW110302-1N									34.00	27.00
967-TCGW110304-1N									34.00	27.00
967-TCGW110308-1N									34.00	27.00
967-F-TCGW110308-3N									97.00	78.00
967-TCGW16T304-1N									34.00	27.00
967-TCGW16T308-1N									34.00	27.00
967-L-TCGW16T302-1N									61.00	49.00
967-L-TCGW16T304-1N									61.00	49.00
967-L-TCGW16T308-1N									61.00	49.00
967-TCGW160404-1N									34.00	27.00
967-TCGW160408-1N									34.00	27.00

VE: 10 Stk in einer Verpackung

TCGT	Angle		Dimensions						Grade			
			Tips	IC mm	S mm	R mm	ϕd mm	LE mm	MND 01	MND 10	MND 32	CVD
	ANSI Code	ISO Code										
	TCGT 1.81.50.5	TCGT 090202	1N	5.56	2.38	0.2	2.4	2.5				●
	TCGT 1.81.51	TCGT 090204	1N	5.56	2.38	0.4	2.4	2.5				●
	TCGT 220.5	TCGT 110302	1N	6.35	3.18	0.2	2.8	2.5				●
	TCGT 221	TCGT 110304	1N	6.35	3.18	0.4	2.8	2.5				●
	TCGT 222	TCGT 110308	1N	6.35	3.18	0.8	2.8	2.5				●
	L-TCGT 32.51	L-TCGT 16T304	2N	9.525	3.97	0.4	4.4	15.9				●

Sorte MND 10

sFr. / Stk.

sFr. / Stk.

VE



967-TCGT090202-1N								34.00	27.00
967-TCGT090204-1N								34.00	27.00
967-TCGT110302-1N								34.00	27.00
967-TCGT110304-1N								34.00	27.00
967-TCGT110308-1N								34.00	27.00
967-L-TCGT16T304-1N								61.00	49.00

VE: 10 Stk in einer Verpackung



Edge mark:
C - chipbreaker
L - full length
F - full face

Application:
ISO N - Non-ferrous Metal
ISO O - Others

TPGW	Angle		Dimensions						Grade			
	ANSI Code	ISO Code	Tips	IC mm	S mm	R mm	Φd mm	LE mm	MND 01	MND 10	MND 32	CVD
	TPGW 220.5	TPGW 110302	1N	6.35	3.18	0.2	3.3	2.5				●
	TPGW 221	TPGW 110304	1N	6.35	3.18	0.4	3.3	2.5				●
	TPGW 222	TPGW 110308	1N	6.35	3.18	0.8	3.3	2.5				●
	TPGW 330.5	TPGW 160402	1N	9.525	4.76	0.2	4.4	2.5				●
	TPGW 331	TPGW 160404	1N	9.525	4.76	0.4	4.4	2.5				●
	F-TPGW 222	F-TPGW 160408	3N	9.525	3.18	0.8	3.3	15.3				●


Sorte MND 10

sFr. / Stk.

sFr. / Stk.
VE

967-TPGW110302-1N									34.00	27.00
967-TPGW110304-1N									34.00	27.00
967-TPGW110308-1N									34.00	27.00
967-F-TPGW110304-3N									97.00	78.00
967-TPGW160402-1N									34.00	27.00
967-TPGW160404-1N									34.00	27.00

VE: 10 Stk in einer Verpackung

TPGT	Angle		Dimensions						Grade			
	ANSI Code	ISO Code	Tips	IC mm	S mm	R mm	ϕd mm	LE mm	MND 01	MND 10	MND 32	CVD
	TPGT 22.50.5	TPGT 110302	1N	6.35	3.18	0.2	3.3	2.5	●			
	TPGT 22.51	TPGT 110304	1N	6.35	3.18	0.4	3.3	2.5	●			
	TPGT 22.52	TPGT 110308	1N	6.35	3.18	0.8	3.3	2.5	●			
	TPGT 330.5	TPGT 160402	1N	9.525	4.76	0.2	4.4	2.5	●			
	TPGT 331	TPGT 160404	1N	9.525	4.76	0.2	4.4	2.5	●			

Sorte MND 10

sFr. / Stk.

sFr. / Stk.

								VE	
967-VBGW160402-1N								34.00	27.00
967-VBGW160404-1N								34.00	27.00
967-VBGW160408-1N								34.00	27.00
967-TPGT160402-1N								34.00	27.00
967-TPGT160404-1N								34.00	27.00

VE: 10 Stk in einer Verpackung




Edge mark:

C - chipbreaker
L - full length
F - full face

Application:

ISO N - Non-ferrous Metal
ISO O - Others

VBGW	Angle		Dimensions						Grade			
	ANSI Code	ISO Code	Tips	IC mm	S mm	R mm	ϕd mm	LE mm	MND 01	MND 10	MND 32	CVD
	VBGW 330.5	VBGW 160402	1N	9.525	4.76	0.2	4.4	2.5	●			
	VBGW 331	VBGW 160404	1N	9.525	4.76	0.4	4.4	2.5	●			
	VBGW 332	VBGW 160408	1N	9.525	4.76	0.8	4.4	2.5	●			

Sorte MND 10

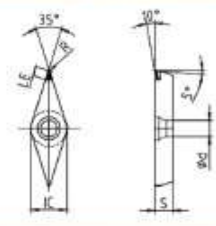
sFr. / Stk.

sFr. / Stk.

								VE	
967-VBGW160402-1N								34.00	27.00
967-VBGW160404-1N								34.00	27.00
967-VBGW160408-1N								34.00	27.00

VE: 10 Stk in einer Verpackung

VBGT	Angle		Dimensions						Grade			
	ANSI Code	ISO Code	Tips	IC mm	S mm	R mm	Φd mm	LE mm	MND 01	MND 10	MND 32	CVD



VBGT 330.5	VBGT 160402	1N	9.525	4.76	0.2	4.4	2.5	●			
VBGT 331	VBGT 160404	1N	9.525	4.76	0.4	4.4	2.5	●			
VBGT 332	VBGT 160408	1N	9.525	4.76	0.8	4.4	2.5	●			

Sorte MND 10

sFr. / Stk.

sFr. / Stk.
VE

967-VBGT160402-1N								34.00	27.00
967-VBGT160404-1N								34.00	27.00
967-VBGT160408-1N								34.00	27.00

VE: 10 Stk in einer Verpackung



Edge mark:

C - chipbreaker

L - full length

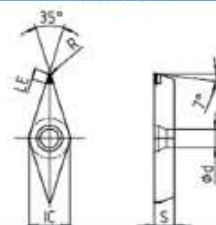
F - full face

Application:

ISO N - Non-ferrous Metal

ISO O - Others

VCGW	Angle		Dimensions						Grade			
	ANSI Code	ISO Code	Tips	IC mm	S mm	R mm	Φd mm	LE mm	MND 01	MND 10	MND 32	CVD



VCGW 220.5	VCGW 110302	1N	6.35	3.18	0.2	2.8	2.5	●			
VCGW 221	VCGW 110304	1N	6.35	3.18	0.4	2.8	2.5	●			
VCGW 330.5	VCGW 160402	1N	9.525	4.76	0.2	4.4	2.5	●			
VCGW 331	VCGW 160404	1N	9.525	4.76	0.4	4.4	2.5	●			
VCGW 332	VCGW 160408	1N	9.525	4.76	0.8	4.4	2.5	●			

Sorte MND 10


sFr. / Stk.

sFr. / Stk.
VE

967-VCGW110204-1N								34.00	27.00
967-VCGW110302-1N								34.00	27.00
967-VCGW110304-1N								34.00	27.00

967-VCGW160402-1N								34.00	27.00
967-VCGW160404-1N								34.00	27.00
967-VCGW160408-1N								34.00	27.00

VE: 10 Stk in einer Verpackung

VCGT	Angle		Dimensions						Grade			
	ANSI Code	ISO Code	Tips	IC mm	S mm	R mm	Φd mm	LE mm	MND 01	MND 10	MND 32	CVD
	VCGT 220.5	VCGT 110302	1N	6.35	3.18	0.2	2.8	2.5	●			
	VCGT 221	VCGT 110304	1N	6.35	3.18	0.4	2.8	2.5	●			
	VCGT 330.5	VCGT 160402	1N	9.525	4.76	0.2	4.4	2.5	●			
	VCGT 331	VCGT 160404	1N	9.525	4.76	0.4	4.4	2.5	●			
	VCGT 332	VCGT 160408	1N	9.525	4.76	0.8	4.4	2.5	●			

Sorte MND 10

sFr. / Stk.

sFr. / Stk.
VE

967-VCGT110302-1N								34.00	27.00
967-VCGT110304-1N								34.00	27.00
967-VCGT160402-1N								34.00	27.00
967-VCGT160404-1N								34.00	27.00
967-VCGT160408-1N								34.00	27.00

VE: 10 Stk in einer Verpackung